

## Mirage Activa™ LT

NASAL MASK

### Fitting Guide



1

- Turn the MicroFit dial to position 24, so that the forehead support is fully extended.



2

- Disconnect the lower headgear clip, hold the mask over the nose and pull the headgear over the head.
- Reconnect the lower headgear clip ensuring it clicks into place.



3

- Keep the bottom straps loose to allow room for the cushion to inflate. Use two fingers as a guide.



4

- Connect one end of the air tubing to the swivel and the other end to the airflow device.



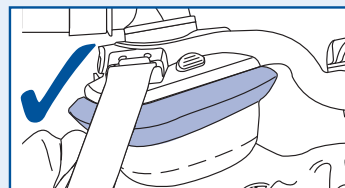
5

- Turn on the airflow device.

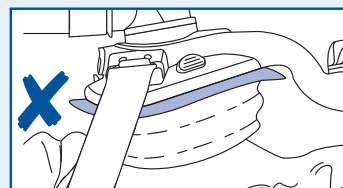


6

- While lying down, adjust the dial for comfort and seal.



- If the mask is fitted correctly, the cushion should be smooth and fully inflated.



- If fitted incorrectly, the cushion will be creased and underinflated.

⚠ For details, refer to the *Mirage Activa LT Nasal Mask User Guide*.

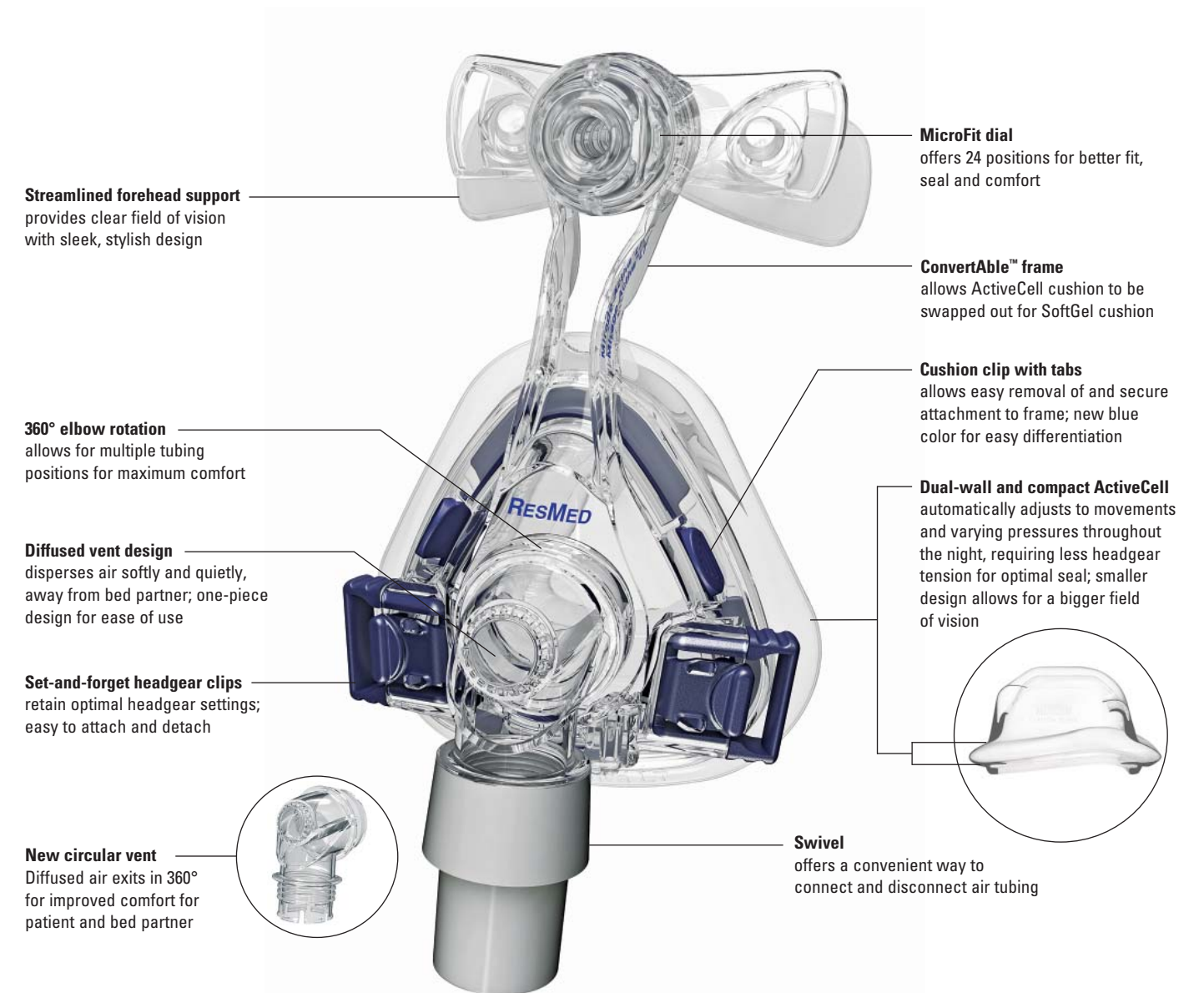
## Mirage Activa™ LT

NASAL MASK

### Fits right for an easy night

Designed to accommodate every patient and ensure a comfortable, hassle-free night, the Mirage Activa™ LT nasal mask is the only mask you'll ever need. With improved ActiveCell™ technology from ResMed, the Mirage Activa LT's cushion expands and contracts to accommodate movement

and therapy pressure changes throughout the night. The result: a mask that creates a gentle, secure seal and a dynamic defense against leak, and is easy to use for clinicians and patients alike.





ActiveCell expands ...



... and contracts

### TECHNOLOGY HIGHLIGHT

#### Compact ActiveCell technology

While traditional masks create a seal primarily through headgear tension, ResMed's improved ActiveCell cushion is an inflatable chamber that automatically expands and contracts to create a gentle sealing force. No longer just for active sleepers, the Mirage Activa LT's dual-wall cushion helps maintain an effective and comfortable seal for every patient, and varying pressure levels.

- **Auto-seals:** ActiveCell automatically inflates for a quick seal that helps minimize leak all night long
- **Minimal sealing force:** Inflatable cushion seals to face with minimal to no headgear tension, increasing comfort and compliance
- **Self-adjusts:** Accommodates various sleeping positions and pressure settings for a hassle-free night
- **Auto-stabilizing:** Cushion decouples movement from mask to face for an uninterrupted seal

### USER BENEFITS

#### Personalized fit and comfort

- Mirage dual-wall cushion with new compact ActiveCell technology provides comfortable seal and accommodates more sleeping positions and varying pressures
- Automatically adjusts for changes in headgear tension and reduces facial marks
- MicroFit dial fine-tunes fit to suit each user's profile with easy one-handed adjustment
- Deep mask frame design accommodates a greater range of nasal structures

#### Quiet and streamlined

- Unique design diffuses air quietly and gently for improved comfort for user and bed partner
- 49% quieter than Mirage Activa<sup>1</sup>
- Slender frame design and compact cushion for improved field of vision

#### Intuitively easy

- ActiveCell automatically seals and adjusts, reducing fitting time
- Fewer mask parts for easy cleaning and assembly

### PROFESSIONAL BENEFITS

#### First-time fit for more users

- Combining the MicroFit dial and dual-wall cushion with the new compact ActiveCell technology achieves a perfect fit for a range of facial structures—first time, every time
- Three cushion sizes fit over 91% of users<sup>2</sup>

#### Customer satisfaction and compliance

- Increased therapy acceptance through quick and accurate first-time fit
- Minimal headgear tension promotes long term comfort and compliance
- Fewer mask parts for fast and intuitive assembly and disassembly

#### Cost and time efficiencies

- Reduced fitting and training time
- Reduced callbacks: ease of use and fitting

#### ConvertAble freedom and choice

- Part of ResMed's exclusive ConvertAble series, offering a choice of two high performance cushions on one durable frame.

### PRODUCT CODES

#### Mirage Activa LT Nasal Mask

Americas	
Small	60182
Medium	60148
Large	60149
Large Wide	60150

### REIMBURSEMENT CODES

HCPCS	Code Descriptor
A7034	Nasal mask used with positive airway pressure device, 1 per 3 months
A7032	Replacement cushion for nasal mask, 2 per month
A7035	Headgear used with positive airway pressure device, 1 per 6 months



# Mirage Activa™ LT

## NASAL MASK

## Components Card

### Complete system

Product code	Cushion size
60182	Small (S)
60148	Medium (M)
60149	Large (L)
60150	Large Wide (LW)

### Frame system\*

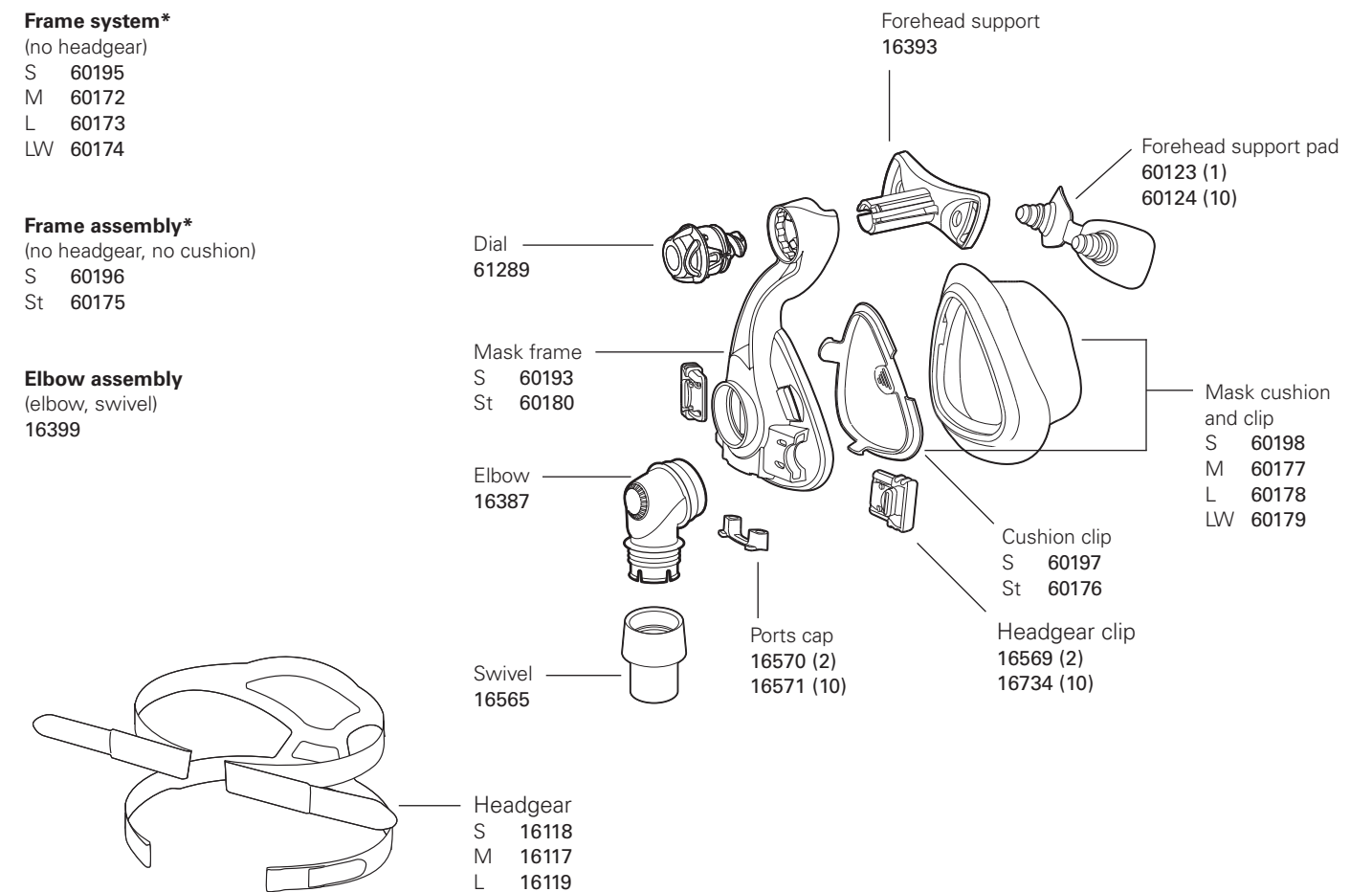
(no headgear)
S 60195
M 60172
L 60173
LW 60174

### Frame assembly\*

(no headgear, no cushion)
S 60196
St 60175

### Elbow assembly

(elbow, swivel)
16399



S Small St Standard M Medium L Large LW Large Wide

\*Includes headgear clips

<sup>1</sup> Testing per ISO 3744:1994 Acoustics determination of sound power levels of noise using pressure at 10 cm H<sub>2</sub>O. Quoted percentage comparisons are calculated by converting sound power values from a logarithmic scale to a linear scale

<sup>2</sup> Based on ResMed anthropometric database